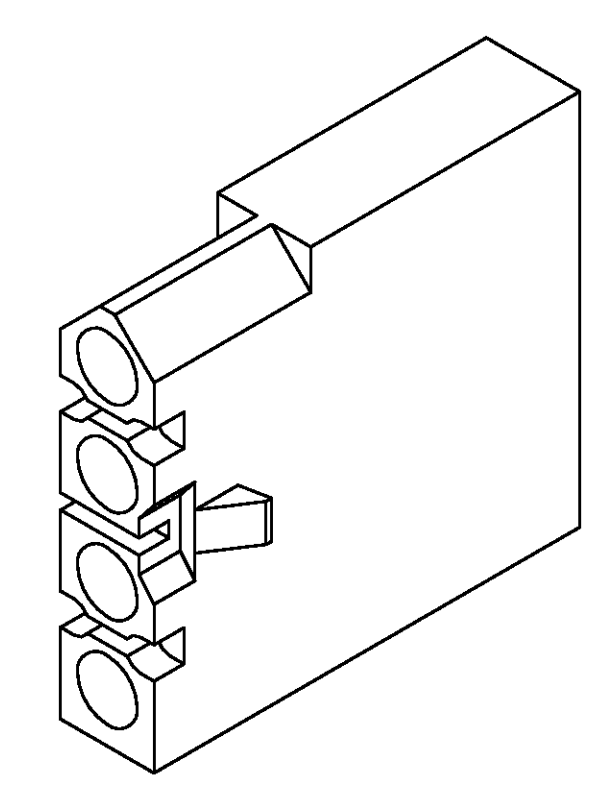
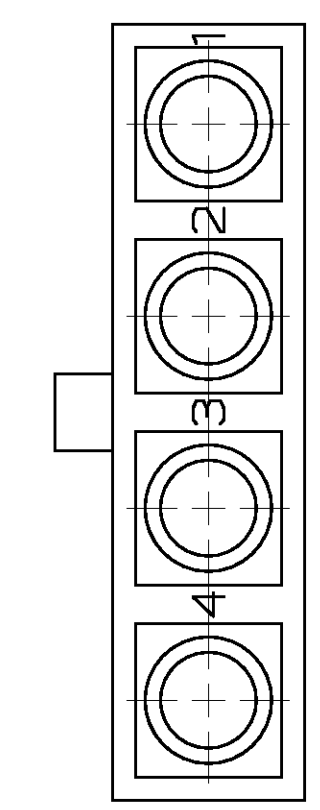
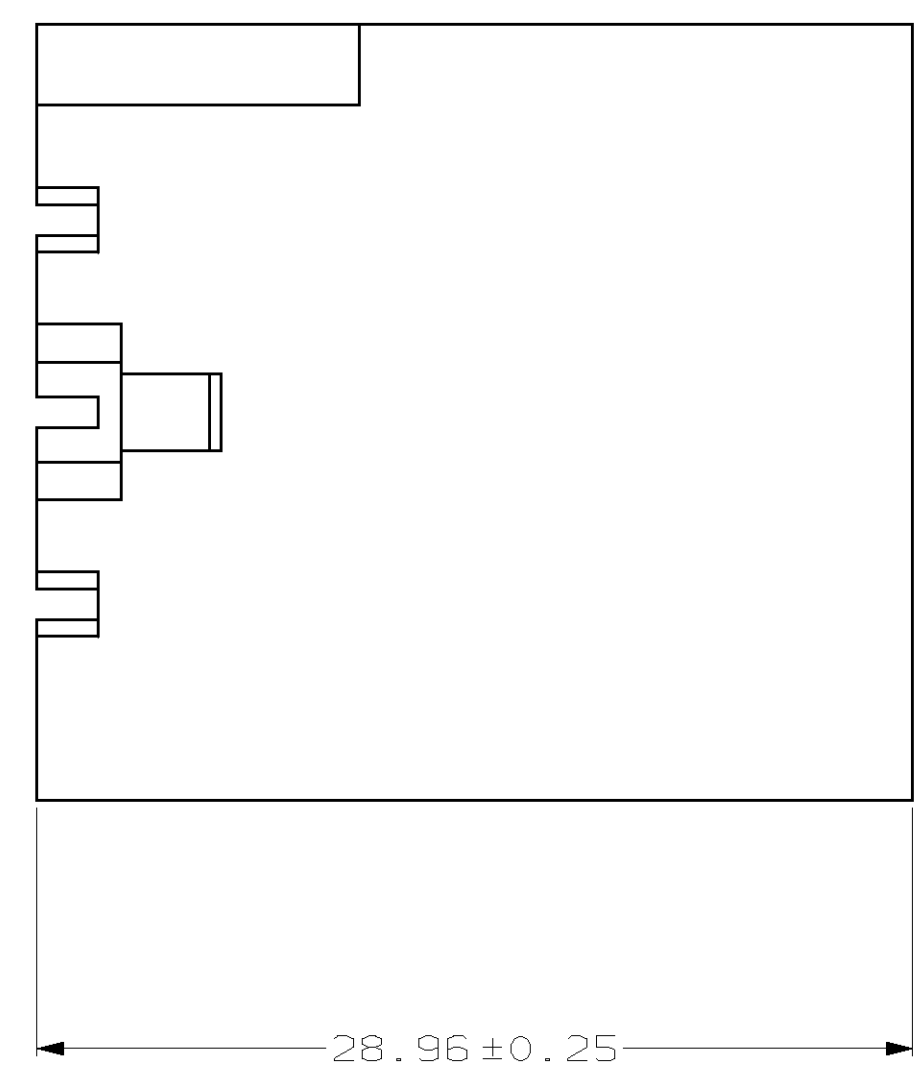
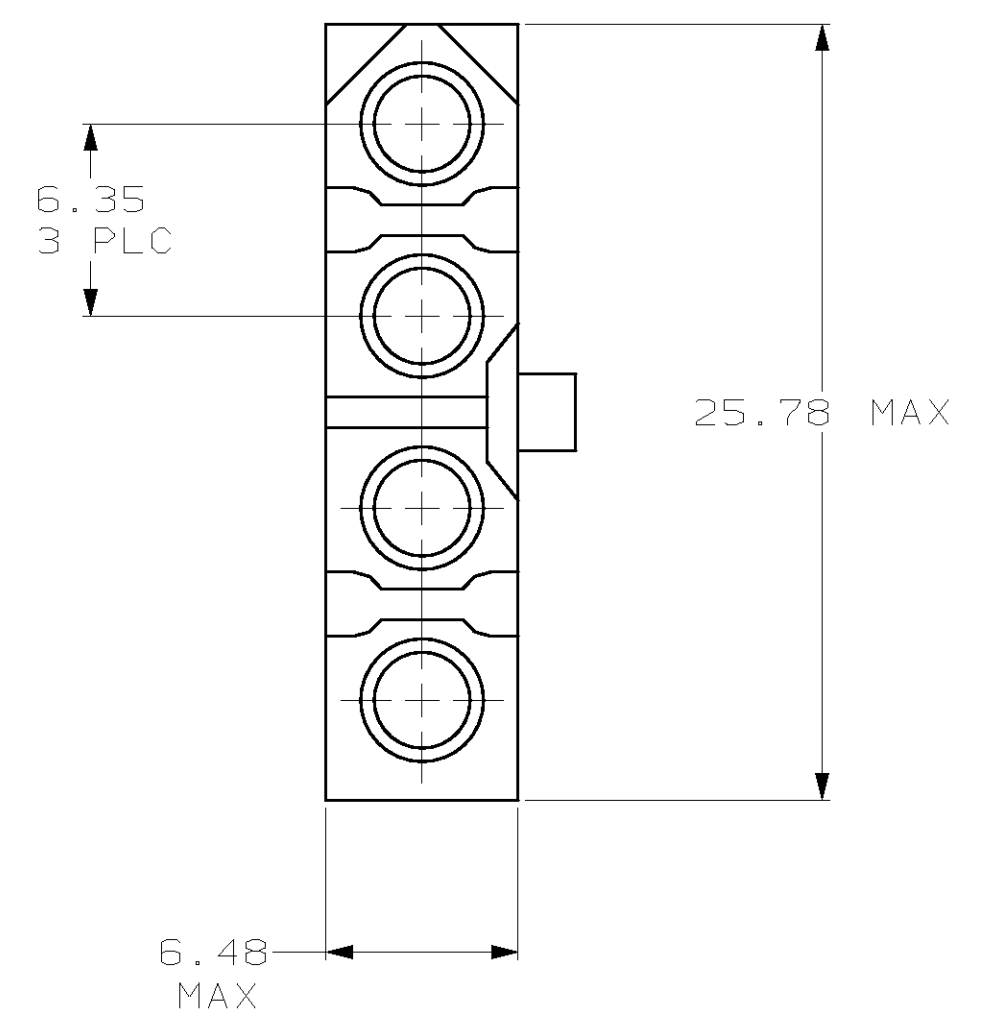
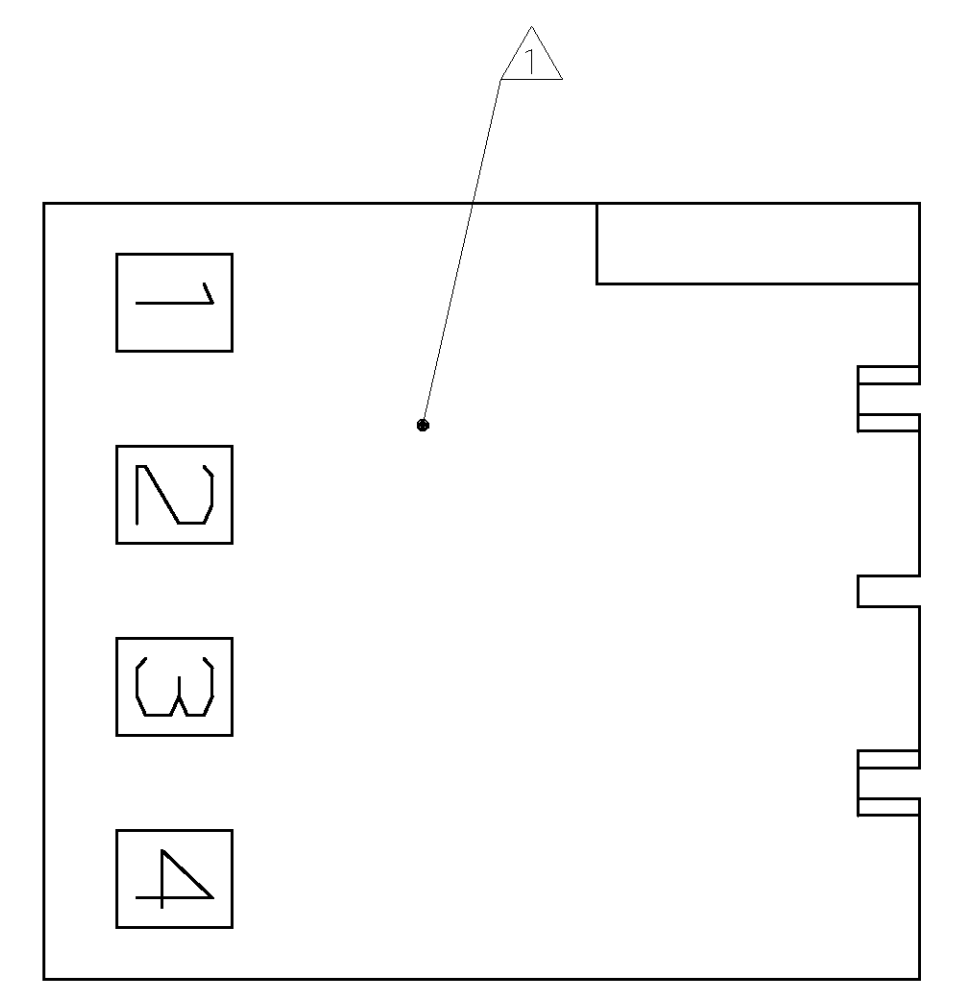


| LOC | QTY | REV | DATE | BY | APPV |
|-----|-----|-----|----------|----|------|
| CM | 53 | F | 10-24-97 | KW | RS |

AMP LOGO LOCATED THIS SURFACE.



3-DIMENSIONAL MODEL NTS

| MM | IN |
|-------|-------|
| 28.96 | 1.140 |
| 25.78 | 1.015 |
| 6.48 | .255 |
| 6.35 | .250 |
| 0.25 | .010 |
| 0.13 | .005 |
| MM | IN |

CONVERSION TABLE

770337-1
PART NUMBER

METRIC

| | | | | |
|---|--|--------------------|----------|--|
| THIS DRAWING IS A CONTROLLED DOCUMENT. | | OWN K. WHITAKER | 10-24-97 | AMP AMP Incorporated Harrisburg, PA 17105-3608 |
| DIMENSIONS: mm | | CHK R. SWING | 10-24-97 | |
| TOLERANCES UNLESS OTHERWISE SPECIFIED: | | APVD K. CORLE | 10-24-97 | NAME RECEPTACLE, 4 CIRCUIT, .250 PIN AND SOCKET |
| 9 PLC ±- | | PRODUCT SPEC | | SIZE A1 |
| 1 PLC ±- | | APPLICATION SPEC | | SCALE 4:1 |
| 2 PLC ±0.13 | | HEIGHT | | SHEET 1 OF 1 |
| 3 PLC ±- | | | | REV F |
| 4 PLC ±- | | | | |
| ANGLES | | | | |
| MATERIAL NYLON, JL 94V-2, NATURAL | | FINISH | | CUSTOMER DRAWING |